

FTT 7111

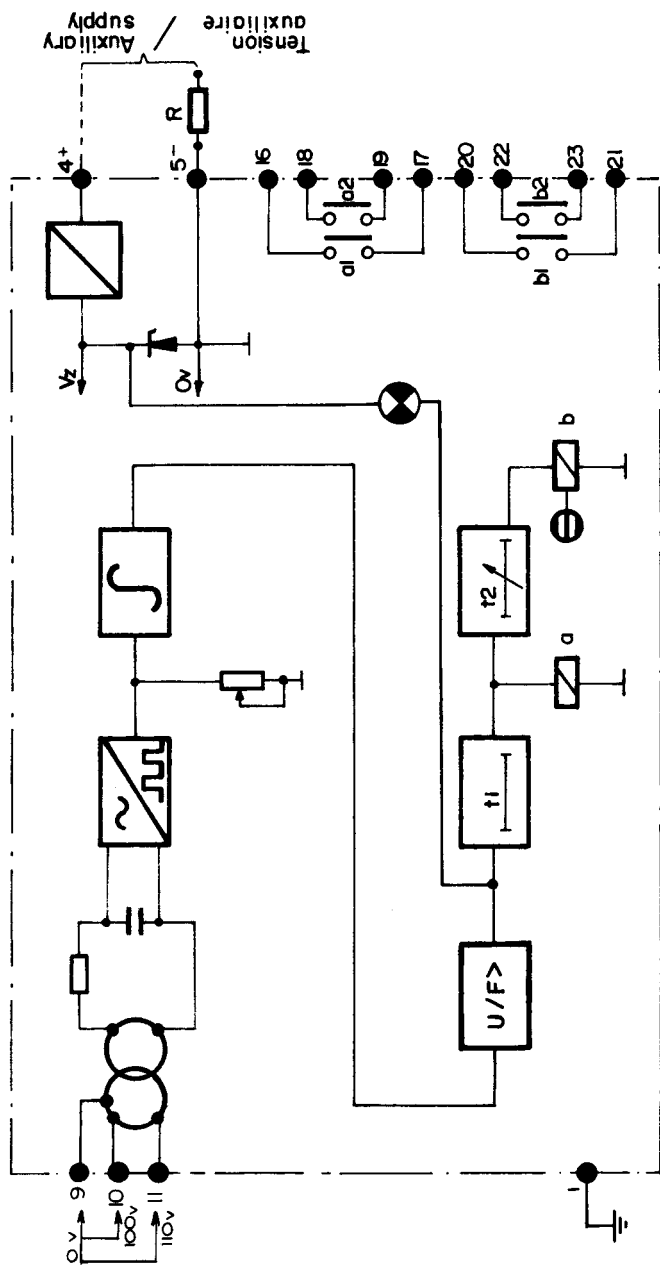
A	TENSION NOMINALE / NOMINAL VOLTAGE
	Un = 100V - 110V

B	FREQUENCE / FREQUENCY
	F _n = 50HZ
	F _n = 60HZ

C	GAMME DE REGLAGE / SETTING RANGE
	(U/F) _R = 100 - 130% Un/F _n

D	TEMPORISATION / RELAYS a	RELAY a	TIME DELAY
	t ₁		0,6 s
E	TEMPORISATION / RELAYS b	RELAY b	TIME DELAY
	t ₂		3 - 30 s

F	TENSION AUXILIAIRE / AUXILIARY SUPPLY		
	a	48V	-20 +10%
	b	60V	-20 +10%
	c	110V	-20 +10%
	d	125V	-30 +10%
	e	220	-20 +10%(+R)*
		100V	-20 +10%
		110V	-20 +10%
		127V	-20 +10%
		220V	-20 +10%(+R)*



CONTACTS	
FTT711A	FTT711B
a1	a1
a2	a2
b1	b1
b2	b2

H

BOITIER R2 / CASE R2

Project front connect. **C** SD PAV

Project rear connect. **C** SD PAR

Flush rear connect. **C** ED PAR

C.9827

A 9.6.81 C 18.990 DESSINE VERIFIE APPROUVE

B 22.1.82 A.M.

Compagnie Continentale d'Equipements Electriques

Nota 1 : U/F < (U/F)_R, les relais "a" et "b" ne sont pas excites
 U/F < (U/F)_R, relays "a" and "b" are unenergized

Nota 2 : R Resistance exterieure fournie par nos soins (plan n°8609)
 R external resistor of our supply (drawing n°8609)

* Supplement de prix. / At extra cost